

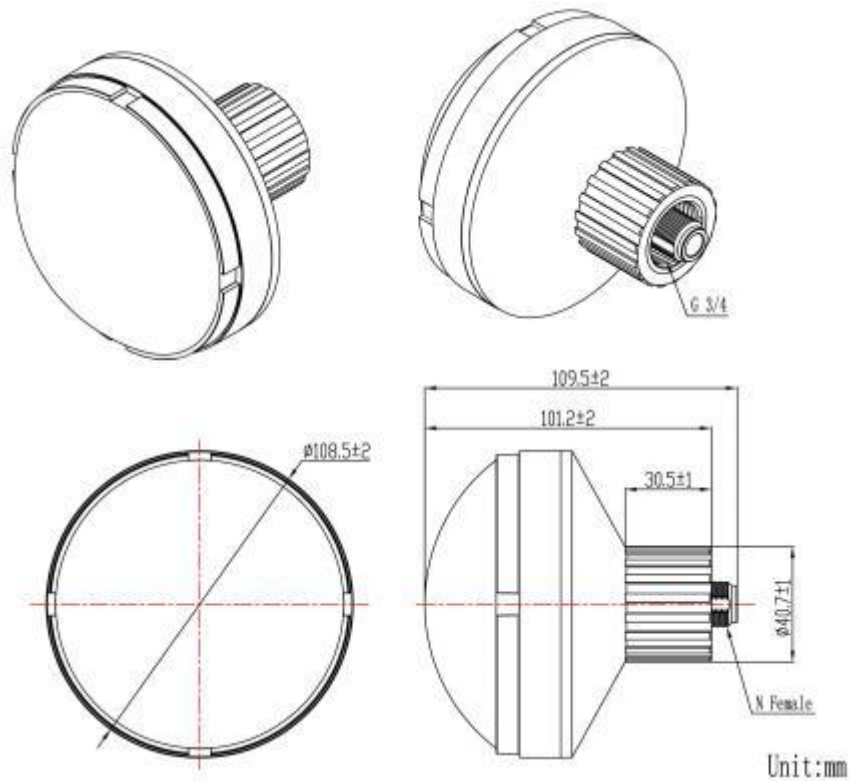


Product name:GNSS Active Antenna

Product Model:GLA247



Dimension



Add: Room826, Floor 8,BLDG 13, University Science Park(East), Zhengzhou City, P.R.Henan, China.

Tel: 86-371-65097986/86-371-60911368 Email:info@global-antenna.com

Web:<https://www.asialeren.com> <https://www.global-antenna.com>



GLOBAL EAST ASIA TECHNOLOGY CO.,LIMITED

Item		Specifications
Antenna(2 pins)	Frequency Range	1561.098~1602MHz
	Polarization	RHCP
	Gain	3.0dBic@ (Zenith)
	V.S.W.R	≤ 1.5
	Impedance	50 Ω
	Horizontal Coverage Angle	360°
	Vertical Coverage Angle	5° ~90°
LNA	Gain	40 \pm 2dB
	Noise Figure	≤ 2.0 dB
	Supply Voltage	3~12V DC
	Current Consumption	≤ 40 mA
	V.S.W.R	≤ 2.0
	Out-of-band Rejection	≥ 35 dB @ $f_0 \pm 100$ MHz
Mechanical	Connector	N-Female
	Radome Material	ABS
	Mounting Method	Screw
Environmental	Operating Temperature	-40°C~+70°C
	Relative Humidity	Up to 75%
	Ingress Protection	IP66
	Vibration	10 to 55Hz with 1.5mm amplitude 2hours
	Environmentally Friendly	ROHS Compliant