

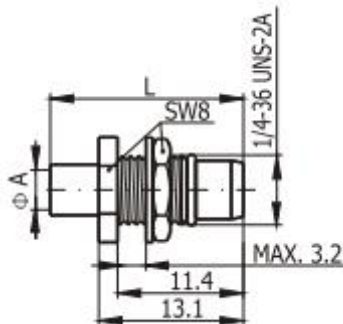


GLOBAL EAST ASIA TECHNOLOGY CO., LIMITED

Product type: Semi-rigid Cable connectors/Straight Bulkhead Cable Plugs

Product number:GLB1BMA

Frequency Range(GHz)	0-5	
Characteristic impedance(ohm)	50	
Max power (W)	50	
VSWR	≤1.30	
Insulation resistance	>5000MΩ	
Dielectric Withstanding voltage	750V(rms)	
Contact resistance	Center conductor	≤3mΩ
	Outer conductor	≤2mΩ
Connector	BMA	
Cable	047/086/141	
MATERIAL AND PLATING		
Lighting protection	DC grounding	
Body	stainless steel passivated	
Male center contacts	gold plated	
Female center contacts	gold plated	
Insulators	PTFE	
Crimp ferrules	copper alloy,nickel plated	
Temperature range	-65~+125℃	



Add: Room 826, Block B,BLDG 18, University Science Park(East), Zhengzhou City,P.R.Henan,China.
 Tel: 86-371-60911368 Email:info@global-antenna.com
 Web:<http://www.asialeren.com> <http://www.global-antenna.com>