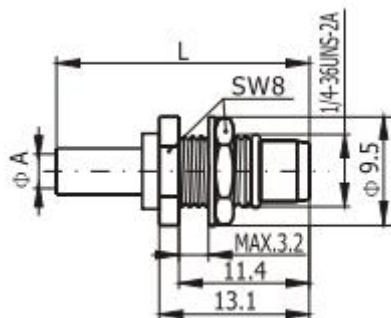




Product type: Flexible Cable Connectors/Straight Bullhead Cable Plugs

Product number:GLB5BMA

Frequency Range(GHz)	0-7	
Characteristic impedance(ohm)	50	
Max power (W)	50	
VSWR	≤1.30	
Insulation resistance	>5000MΩ	
Dielectric Withstanding voltage	750V(rms)	
Contact resistance	Center conductor	≤3mΩ
	Outer conductor	≤2mΩ
Connector	BMA	
Apply Cable	2.5/3/50S	
MATERIAL AND PLATING		
Lighting protection	DC grounding	
Body	stainless steel passivated	
Male center contacts	Brass,gold plated	
Female center contacts	gold plated	
Insulators	PTFE	
Crimp ferrules	copper alloy,nickel plated	
Temperature range	-65~+125℃	



Add: Room 826, Block B,BLDG 18, University Science Park(East), Zhengzhou City,P.R.Henan,China.
 Tel: 86-371-60911368 Email:info@global-antenna.com
 Web:<http://www.asialeren.com> <http://www.global-antenna.com>