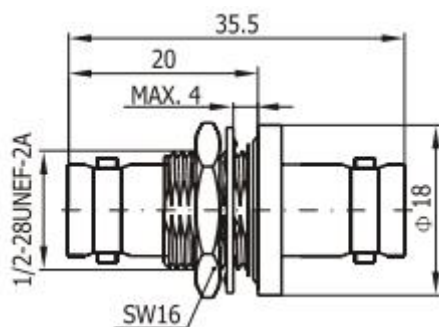




Product type: Straight Bulkhead BNC/BNC-KYK Adapters

Product number: GLBNC-763

Frequency Range(GHz)	0-1	
Characteristic impedance(ohm)	75	
VSWR	≤1.30	
Insulation resistance	≥5000MΩ	
Dielectric Withstanding voltage	1500V(rms)	
Disengage force	≥0.6N	
Contact resistance	Center conductor	≤1.5mΩ
	Outer conductor	≤1mΩ
Connector	BNC	
Length(mm)	Φ 18*35.5	
Durability	500 Cycles	
MATERIAL AND PLATING		
Lighting protection	DC grounding	
Body	Brass,nickel plated	
Male center contacts	Brass,gold plated	
Female center contacts	Beryllium copper or phosphor bronze ,gold plated	
Insulators	PTFE	
Crimp ferrules	copper alloy,nickel plated	
Temperature range	-65~+165 °C	



Add: Room 826, Block B,BLDG 18, University Science Park(East), Zhengzhou City,P.R.Henan,China.
 Tel: 86-371-60911368 Email:info@global-antenna.com
 Web:<http://www.asialeren.com> <http://www.global-antenna.com>