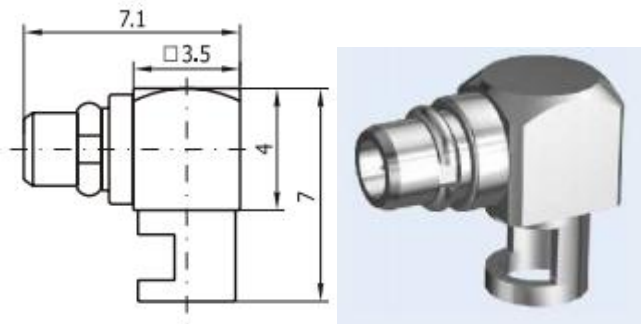




**Product type:Right Angle Cable Plugs**

**Product number:GLMMCX8**

Frequency Range(GHz)	0-6	
Characteristic impedance(ohm)	50	
VSWR	≤1.25	
Insulation resistance	≥1000MΩ	
Dielectric Withstanding voltage	500V(rms)	
Working Voltage	170V(rms)	
Contact resistance	Center conductor	≤10mΩ
	Outer conductor	≤5mΩ
Connector	MMCX	
Apply cable	047/086	
Length(mm)	Φ 7.1*7	
Durability	500 Cycles	
<b>MATERIAL AND PLATING</b>		
Body	Brass,gold plated	
Male center contacts	Phosphor,bronze,gold plated	
Female center contacts	Beryllium copper,gold plated	
Insulators	PTFE	
Crimp ferrules	copper alloy,nickel or gold plated	
Temperature range	-40~+90℃	



Add: Room 826, Block B,BLDG 18, University Science Park(East), Zhengzhou City,P.R.Henan,China.  
Tel: 86-371-60911368 Email:info@global-antenna.com  
Web:<http://www.asialeren.com> <http://www.global-antenna.com>