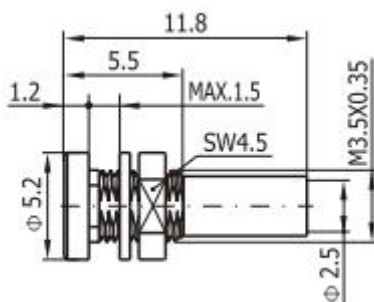




Product type: Straight Bulkhead Cable Jacks

Product number: GLMMCX9

Frequency Range(GHz)	0-6	
Characteristic impedance(ohm)	50	
VSWR	≤1.25	
Insulation resistance	≥1000MΩ	
Dielectric Withstanding voltage	500V(rms)	
Working Voltage	170V(rms)	
Contact resistance	Center conductor	≤10mΩ
	Outer conductor	≤5mΩ
Connector	MMCX	
Apply cable	2/50S	
Length(mm)	Φ 5.2*11.8*2.5(Φ A=2.5)	
Durability	500 Cycles	
MATERIAL AND PLATING		
Body	Brass, gold plated	
Male center contacts	Phosphor, bronze, gold plated	
Female center contacts	Beryllium copper, gold plated	
Insulators	PTFE	
Crimp ferrules	copper alloy, nickel or gold plated	
Temperature range	-40~+90℃	



Add: Room 826, Block B, BLDG 18, University Science Park(East), Zhengzhou City, P.R. Henan, China.
 Tel: 86-371-60911368 Email: info@global-antenna.com
 Web: <http://www.asialeren.com> <http://www.global-antenna.com>