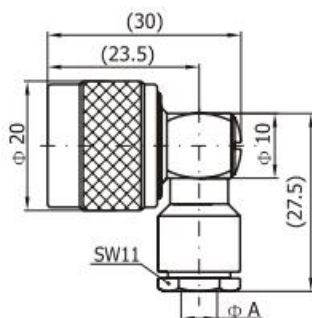




Product type:Flexible Cable connectors/Right Angle Cable Plugs

Product number:GLN11

| | | |
|---------------------------------|------------------------------|--------|
| Frequency Range(GHz) | 0-11 | |
| Characteristic impedance(ohm) | 50 | |
| VSWR | ≤1.3 | |
| Insulation resistance | ≥5000MΩ | |
| Dielectric Withstanding voltage | 1500V(rms) | |
| Contact resistance | Center conductor | ≤1mΩ |
| | Outer conductor | ≤0.2mΩ |
| Connector | N | |
| Length(mm) | Φ 20*30*27.5(Φ A=3.5) | |
| Apply cable | 2.5/3/50S | |
| Durability | 500 Cycles | |
| MATERIAL AND PLATING | | |
| Body | Brass,nickel/gold plated | |
| Male center contacts | Brass,gold plated | |
| Female center contacts | Beryllium copper,gold plated | |
| Insulators | PTFE | |
| Crimp ferrules | copper alloy,nickel plated | |
| Gaskets | Silicone rubber | |
| Temperature range | -40~+90℃ | |



Add: Room 826, Block B,BLDG 18, University Science Park(East), Zhengzhou City,P.R.Henan,China.
Tel: 86-371-60911368 Email:info@global-antenna.com
Web:<http://www.asialeren.com> <http://www.global-antenna.com>