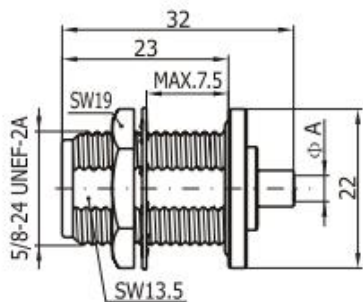




Product type: Straight Bulkhead Cable Jacks

Product number: GLN5

Frequency Range(GHz)	0-11	
Characteristic impedance(ohm)	50	
VSWR	≤1.3	
Insulation resistance	≥5000MΩ	
Dielectric Withstanding voltage	1500V(rms)	
Contact resistance	Center conductor	≤1mΩ
	Outer conductor	≤0.2mΩ
Connector	N	
Length(mm)	Φ 22*32	
Apply cable	086/141	
Durability	500 Cycles	
MATERIAL AND PLATING		
Body	Brass,nickel/gold plated	
Male center contacts	Brass,gold plated	
Female center contacts	Beryllium copper,gold plated	
Insulators	PTFE	
Crimp ferrules	copper alloy,nickel plated	
Gaskets	Silicone rubber	
Temperature range	-40~+90℃	



Add: Room 826, Block B,BLDG 18, University Science Park(East), Zhengzhou City,P.R.Henan,China.
 Tel: 86-371-60911368 Email:info@global-antenna.com
 Web:<http://www.asialeren.com> <http://www.global-antenna.com>