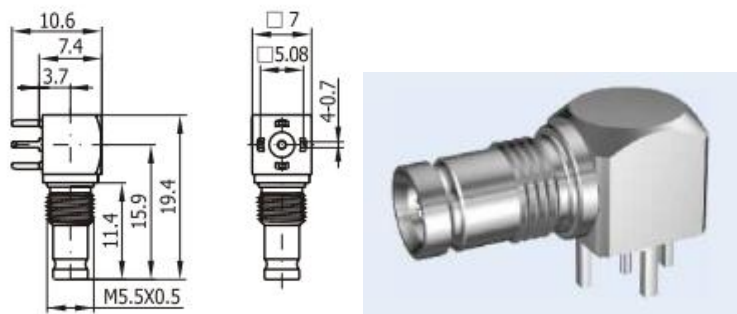




Product type:PCB connectors/Right Angle PCB Jacks

Product number:GLSAA06

Frequency Range(GHz)	1/2.3	
Characteristic impedance(ohm)	50	
VSWR	≤1.4	
Insulation resistance	≥1000MΩ	
Dielectric Withstanding voltage	750V(rms)	
Contact resistance	Center conductor	≤10mΩ
	Outer conductor	≤7.5mΩ
Connector	SAA	
Length(mm)	Φ 5.08*19.4	
Apply cable	2.5/3/50S	
Durability	500 Cycles	
MATERIAL AND PLATING		
Body	Brass,gold plated	
Male center contacts	Brass,gold plated	
Female center contacts	Beryllium copper,gold plated	
Insulators	PTFE	
Spring contacts	Beryllium copper ,gold plated	
Crimp ferrules	Copper alloy,nickel plated	
Temperature range	-65~+155℃	



Add: Room 826, Block B,BLDG 18, University Science Park(East), Zhengzhou City,P.R.Henan,China.
 Tel: 86-371-60911368 Email:info@global-antenna.com
 Web:<http://www.asialeren.com> <http://www.global-antenna.com>