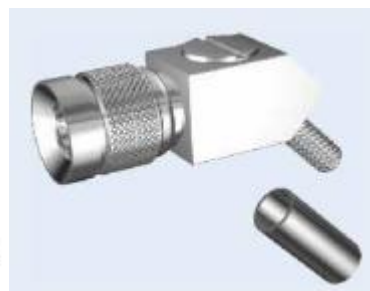
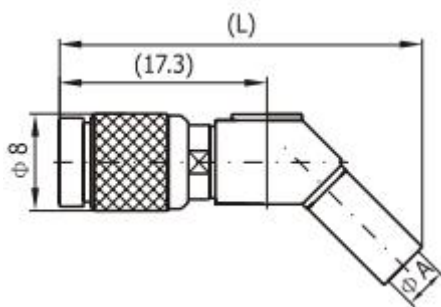




**Product type: Right Angle Cable Plugs**

**Product number: GLSAA11**

Frequency Range(GHz)	1/2.3	
Characteristic impedance(ohm)	75	
VSWR	≤1.4	
Insulation resistance	≥1000MΩ	
Dielectric Withstanding voltage	750V(rms)	
Contact resistance	Center conductor	≤10mΩ
	Outer conductor	≤7.5mΩ
Connector	SAA	
Length(mm)	Φ 8*28.7(Φ A=2.5)	
Apply cable	2/75S	
Durability	500 Cycles	
<b>MATERIAL AND PLATING</b>		
Body	Brass, gold plated	
Male center contacts	Brass, gold plated	
Female center contacts	Beryllium copper, gold plated	
Insulators	PTFE	
Spring contacts	Beryllium copper ,gold plated	
Crimp ferrules	Copper alloy, nickel plated	
Temperature range	-65~+155℃	



Add: Room 826, Block B, BLDG 18, University Science Park(East), Zhengzhou City, P.R. Henan, China.  
 Tel: 86-371-60911368 Email: info@global-antenna.com  
 Web: <http://www.asialeren.com> <http://www.global-antenna.com>