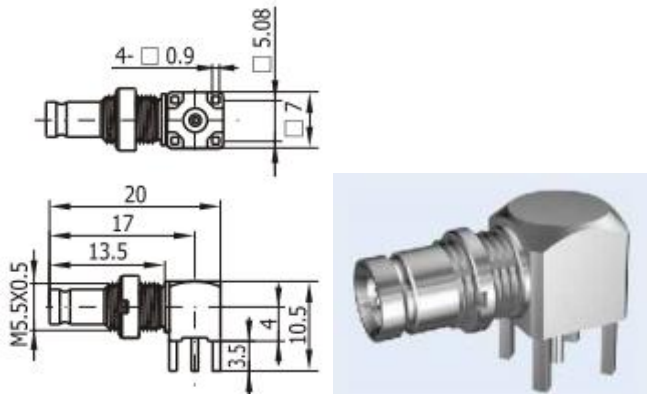




**Product type:PCB connectors/Right Angle Bulkhead PCB Jacks**

**Product number:GLSAA17**

Frequency Range(GHz)	1/2.3	
Characteristic impedance(ohm)	75	
VSWR	≤1.4	
Insulation resistance	≥1000MΩ	
Dielectric Withstanding voltage	750V(rms)	
Contact resistance	Center conductor	≤10mΩ
	Outer conductor	≤7.5mΩ
Connector	SAA	
Length(mm)	Φ 10.5*20	
Durability	500 Cycles	
<b>MATERIAL AND PLATING</b>		
Body	Brass,gold plated	
Male center contacts	Brass,gold plated	
Female center contacts	Beryllium copper,gold plated	
Insulators	PTFE	
Spring contacts	Beryllium copper ,gold plated	
Crimp ferrules	Copper alloy,nickel plated	
Temperature range	-65~+155℃	



Add: Room 826, Block B,BLDG 18, University Science Park(East), Zhengzhou City,P.R.Henan,China.  
 Tel: 86-371-60911368 Email:info@global-antenna.com  
 Web:http://www.asialeren.com http://www.global-antenna.com