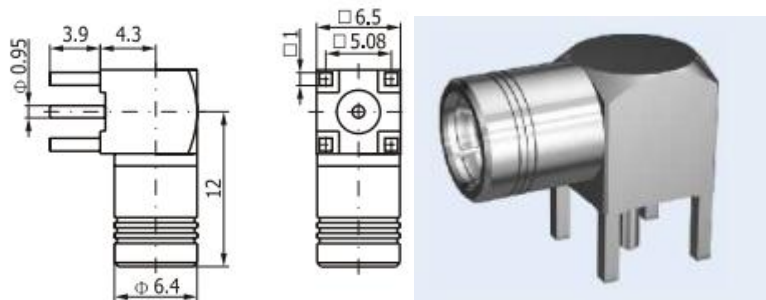




Product type:PCB Connectors/Right Angle PCB Plugs

Product number:GLSMB14

Frequency Range(GHz)	0-4	
Characteristic impedance(ohm)	50	
VSWR	≤1.3	
Insulation resistance	≥1000MΩ	
Dielectric Withstanding voltage	750V(rms)	
Voltage rating	250V(rms)	
Contact resistance	Center conductor	≤6mΩ
	Outer conductor	≤1mΩ
Connector	SAA	
Length(mm)	Φ 6.4*12	
Durability	500 Cycles	
MATERIAL AND PLATING		
Body	Brass,gold plated	
Male center contacts	Brass,gold plated	
Female center contacts	Beryllium copper,gold plated	
Insulators	PTFE	
Spring contacts	Beryllium copper ,gold plated	
Crimp ferrules	Copper alloy,gold or nickel plated	
Temperature range	-65~+165℃	



Add: Room 826, Block B,BLDG 18, University Science Park(East), Zhengzhou City,P.R.Henan,China.
 Tel: 86-371-60911368 Email:info@global-antenna.com
 Web:<http://www.asialeren.com> <http://www.global-antenna.com>